



**Elektrim**<sup>®</sup>  
**Motors**

# Elektrim Metric IEC AC Explosion Proof Motors

**ATEX Certified Protection for Export Hazardous Environment Applications**

5.5-220 HP 3PH TEFC 50 Hz NEMA AC Foot Mounted and D-Flange Motors

## Features

- ATEX Certified
- Inverter Duty Rated
- VPI Process Applied
- Protection Degree: IP55
- Enclosure: TEFC F3 Rigid Cast Iron Frame
- Warranty: 3-Years
- Duty S1
- Voltage 400V +/- 5%
- Class "F" Insulation
- Ambient Temperature from 20°C to +40°C (Class T5)
- Increased safety of Terminal Box
- Terminal Box with 1 Cable Inlet
- Cable Inlet Ant. Terminals adapted for cable with copper wires
- 3 Terminals for direct on-line starting
- According to standards: PN-EN 60034-1, PN-EN 60079-0, PN-EN 60079-1, PN-EN 60079-7
- Classified to category 2G acc. to Directive 94/9/WE (ATEX)

## Applications

Designed for the hazardous applications found in the petroleum, natural gas, chemical and industrial paint industries where explosive mixtures of combustible gas, vapor or dust, classified as Group II, Temperature Class T5 or lower, may exist. Motors can be operated in Zone 1 & 2.



# Operating Parameters

FRAME	RATED OUTPUT		RPM	DATA OF RATED OUTPUT				RATIO OF			Moment of Inertia J	Weight IM B3 M
				Efficiency	Power Factor	AMPS	Torque	LRT	BDT	LRA		
	$P_N$ kW	HP	$n_N$ min <sup>-1</sup>	N %	PF -	$I_N$ [A] 400V	$T_N$ Nm	$T_L/T_N$ -	$T_B/T_N$ -	$I_L/I_N$ -	kgm <sup>2</sup>	kg
<b>2p = 2      3000 RPM</b>												
160M2A	11	15	2925	88.5	0.89	20.2	36	2.1	2.5	5.7	0.04	150
160M2B	15	20	2920	89.5	0.91	26.6	49	2.1	2.2	6.0	0.05	158
160L2	18.5	25	2925	91.3	0.90	32.5	60	2.4	2.8	6.5	0.06	176
180M2	22	30	2945	91.5	0.89	39	71	2.7	2.6	6.8	0.07	210
200L2A	30	40	2960	92.9	0.89	52	97	1.9	2.3	6.0	0.15	285
200L2B	37	50	2960	93.7	0.89	64	119	2.2	2.5	6.7	0.18	315
225M2	45	60	2968	94.5	0.89	77	145	2.4	2.5	7.0	0.26	375
250M2	55	75	2970	93.5	0.90	94	177	2.0	2.0	6.9	0.36	434
280S2	75	100	2977	94.0	0.90	128	241	2.1	3.3	7.5	0.76	580
280M2	90	125	2970	94.7	0.91	151	289	2.0	3.2	7.0	0.87	620
315S2	110	150	2977	95.1	0.91	183	353	2.2	3.3	8.3	0.91	755
315M2A	132	180	2975	95.0	0.91	220	424	2.1	2.8	8.5	0.98	795
315M2B	160	220	2975	95.4	0.89	272	514	2.3	2.5	9.1	1.20	855
<b>2p = 4      1500 RPM</b>												
160M4	11	15	1463	89.5	0.84	21.1	72	2.5	2.9	7.5	0.06	150
160L4	15	20	1460	89.8	0.86	28	98	2.5	3.2	7.9	0.08	172
180M4	18.5	25	1465	90.8	0.90	32.5	121	2.3	2.9	6.9	0.11	205
180L4	22	30	1465	91.5	0.90	38.6	143	2.5	2.9	7.2	0.13	225
200L4	30	40	1472	92.5	0.88	53	195	2.9	2.5	7.1	0.31	310
225S4	37	50	1475	92.6	0.88	66	240	2.1	2.2	6.3	0.44	350
225M4	45	60	1480	94.0	0.88	79	290	2.4	2.3	7.0	0.53	390
250M4	55	75	1483	93.5	0.91	93	354	2.4	2.6	7.3	0.79	465
280S4	75	100	1485	94.2	0.90	128	482	2.5	2.5	7.3	1.37	630
280M4	90	125	1485	94.8	0.91	151	579	2.6	2.6	7.3	1.63	670
315S4	110	150	1480	94.2	0.92	183	710	2.3	2.2	6.9	1.67	785
315M4A	132	180	1487	94.9	0.90	223	848	2.3	2.5	7.6	1.84	825
315M4B	160	220	1483	95.5	0.90	269	1029	2.7	2.6	8.0	2.27	865
<b>2p = 6      1000 RPM</b>												
160M6	7.5	10	962	87.5	0.81	15.3	74	2.2	3.0	6.4	0.07	146
160L6	11	15	960	88.2	0.82	22	109	2.2	2.8	6.7	0.10	173
180L6	15	20	973	89.0	0.85	28.6	147	2.4	2.4	5.6	0.19	210
200L6A	18.5	25	980	90.5	0.86	34.5	180	2.5	2.4	6.8	0.41	290
200L6B	22	30	981	90.5	0.88	40	214	2.4	2.2	6.9	0.47	305
225M6	30	40	982	91.9	0.88	54	292	2.1	2.2	6.3	0.76	365
250M6	37	50	985	92.5	0.89	65	359	2.6	2.3	6.8	1.23	458
280S6	45	60	985	93.0	0.87	80	436	2.0	2.3	6.5	1.35	555
280M6	55	75	985	93.5	0.89	95	533	2.2	2.2	6.2	1.61	600
315S6	75	100	985	93.5	0.89	130	727	2.3	2.2	6.6	2.16	785
315M6A	90	125	984	93.7	0.88	158	873	2.5	2.0	6.8	2.29	815
315M6B	110	150	985	94.2	0.89	189	1066	2.3	2.1	7.2	2.86	900
<b>2p = 8      750 RPM</b>												
160M8A	4	5.5	710	81.0	0.75	9.5	54	2.1	2.7	5.1	0.06	132
160M8B	5.5	7.5	705	82.5	0.75	12.8	75	2.5	3.1	5.5	0.08	142
160L8	7.5	10	708	83.5	0.78	16.6	101	2.7	3.0	5.7	0.10	162
180L8	11	15	730	88.5	0.76	23.6	144	1.9	2.5	5.5	0.19	208
200L8	15	20	733	89.5	0.83	29.1	195	2.2	2.1	5.5	0.45	290
225S8	18.5	25	735	89.5	0.81	37	240	2.0	2.0	5.6	0.58	320
225M8	22	30	735	90.4	0.80	44	286	2.0	1.8	5.2	0.68	350
250M8	30	40	738	91.5	0.84	56	388	2.5	2.1	6.3	1.27	455
280S8	37	50	737	92.8	0.83	69	479	2.0	1.8	5.3	1.47	575
280M8	45	60	737	92.5	0.84	84	583	2.1	2.0	5.4	1.80	635
315S8	55	75	735	92.7	0.81	106	715	2.0	1.9	5.3	2.16	785
315M8A	75	100	737	93.2	0.82	142	972	2.5	1.9	6.2	2.29	810
315M8B	90	125	737	93.2	0.82	170	1166	2.4	1.9	6.5	2.86	890

All Data Subject to Change Without Notice.

Elektrim Metric IEC Explosion Proof motors available upon special order only. Minimum quantities apply. Call Elektrim at 1-855-Go-Elektrim or 1-855-463-5358 for more information.

# Extended Technical Information and Additional Options

## Symbols of Offered Motors

MOTOR TYPE	FRAME OF MOTOR & MARKING						
	160	180	200	225	250	280	315
Motor with Flame-Proof Enclosure & with increased safety Terminal Box							
EcS/L,K/g-EP	-	II 2G Exde IIC T5	II 2G Exde IIC T5	-	-	-	-
EcS/L,K/gb-EP	II 2G Exde IIB T5	-	-	II 2G Exde IIB+H2 T5	II 2G Exde IIB+H2 T5	II 2G Exde IIB+H2 T5	II 2G Exde IIB T5
Motor & Terminal Box with Flame-Proof Enclosure							
cS/L,K/gb-EP	II 2G Exd IIB T5	II 2G Exd IIB T5	II 2G Exd IIB T5	II 2G Exd IIB T5	II 2G Exd IIB T5	II 2G Exd IIB T5	II 2G Exd IIB T5

## VFD Rating

FRAME	TEMPERATURE CLASS	RANGE OF SPEED	
		Torque Constant	Ventilators - Pumps
		$n_N$ Rated Speed	
160 ÷ 280	T5	$0.3 n_N \div 1.2n_N^{1)}$	$0 \div n_N$
315	T5	$0.8 n_N \div 1.2n_N^{1)}$	$0 \div n_N$
160 ÷ 280	T4	$0.2 n_N \div 1.2n_N^{1)}$	$0 \div n_N$
315	T4	$0.7 n_N \div 1.2n_N^{1)}$	$0 \div n_N$

PARAMETERS OF FREQUENCY CONVERTER FOR MOTORS	
EcS.g(b) 160,180-EP-f	EcS.g(b) 200÷315-EP-f
$U_{peak} < 0.75 \text{ kV}$	$U_{peak} < 1.0 \text{ kV}$
<b>dt &gt; 0.1 us</b>	
cS.g(b) 160,180-EP-f	cS.g(b) 200÷315-EP-f
$U_{peak} < 1.25 \text{ kV}$	$U_{peak} < 1.6 \text{ kV}$
<b>dt &gt; 0.1 us</b>	

\*) The system motor converter given testing with converters: DANFOSS series VLT 5000 i 6000, SIEMENS series Simovert Masterdrivers and Vacon series NX.

1)  $n_N \div 1.2n_N$  - rated output constant.

## Level of Noise [dB(A)]

FRAME	POWER NOISE $L_{WA}$ / PRESSURE NOISE $L_{pAf}$			
	3000	1500	1000	750
160	91/82	75/66	70/61	70/61
180	91/82	78/69	75/66	72/63
200	88/78	79/69	75/63	70/60
225	89/79	83/73	83/73	70/60
250	91/79	85/75	78/68	75/65
280	92/82	85/75	78/68	75/65
315	92/82	86/76	78/68	75/65

## Also Available Upon Request

- Voltage to 750V
- Frequency 60Hz
- Protection Degree IP56
- Class "H" Insulation
- Flame-Proof Terminal Box
- Winding Thermal Protection
- Bearing Thermal Protection
- Space Heaters in Winding
- Terminal Box with 2 Cable Inlets
- 6 Terminals for Star/Delta Starting
- Adapted for Frequency Converter Supply
- Rubber Packing of Cable Inlet for other cable's diameter
- Low Temperature Design (less than -20°C) ... -ELT
- GOST-R Certification

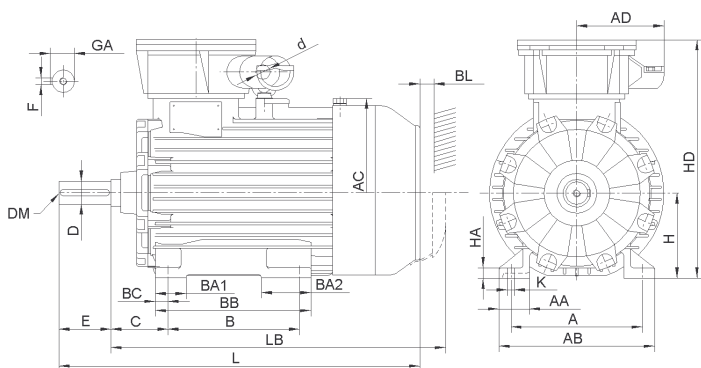
All Data Subject to Change Without Notice..

Elektrim Metric IEC Explosion Proof motors available upon special order only. Minimum quantities apply. Call Elektrim at 1-855-Go-Elektrim or 1-855-463-5358 for more information.

# Dimensional Drawings

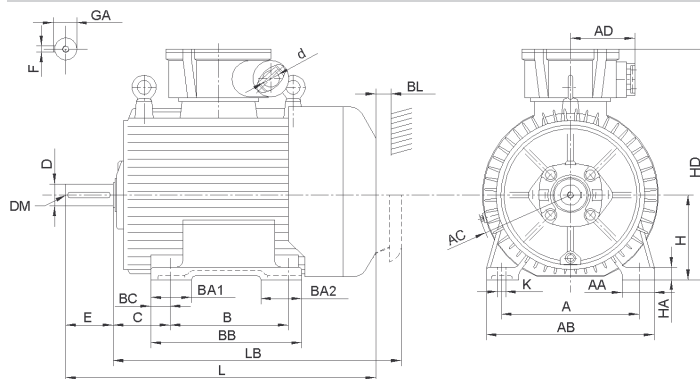
## (E)cSg(b) 160, 180 - EP

IM 1001, IM 1011, IM 1031, IM 1051, IM 1061, IM 1071



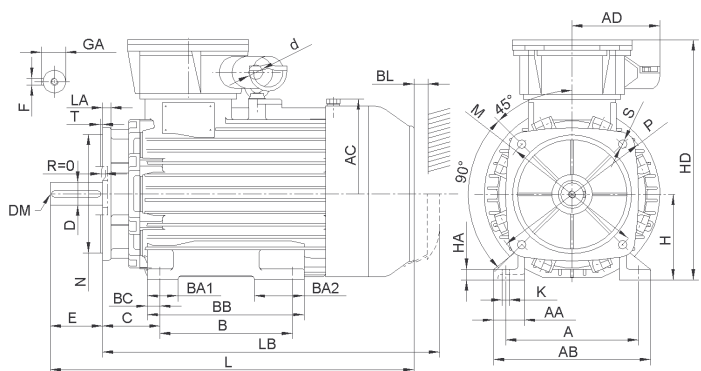
## (E)cSg(b) 200, 315 - EP

IM 1001, IM 1011, IM 1031, IM 1051, IM 1061, IM 1071



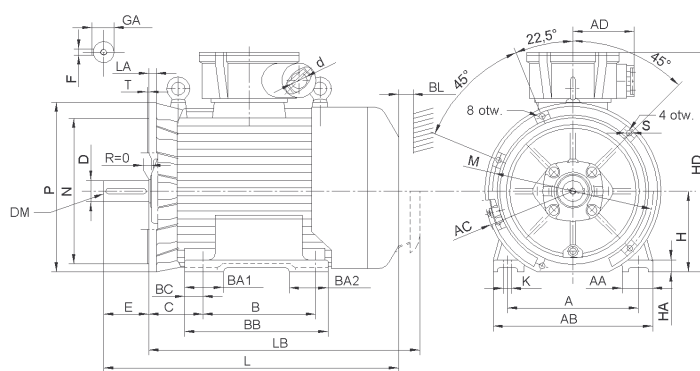
## (E)cSLg(b) 160, 180 - EP

IM 2001, IM 2011, IM 2031, IM 2051, IM 2061, IM 2071



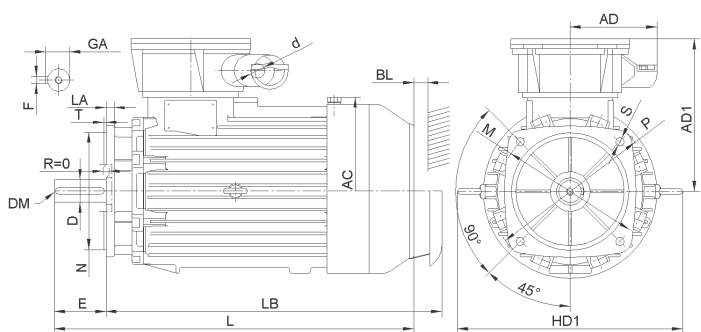
## (E)cSLg(b) 200, 315 - EP

IM 2001, IM 2011, IM 2031, IM 2051, IM 2061, IM 2071



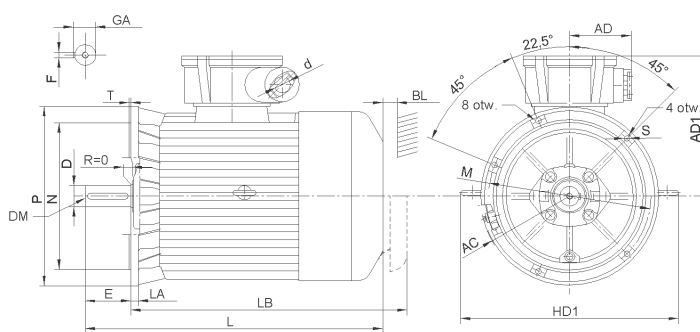
## (E)cSKg(b) 160, 180 - EP

IM 3001, IM 3011, IM 3031



## (E)cSKg(b) 200, 315 - EP

200-280: IM 4001, IM 4011, IM 4031 315: IM 3001, IM 3011, IM 3031



All Data Subject to Change Without Notice.

Elektrim Metric IEC Explosion Proof motors available upon special order only. Minimum quantities apply. Call Elektrim at 1-855-Go-Elektrim or 1-855-463-5358 for more information.

# Mounting, Overall and Bearing Dimensions

## Mounting Dimensions

FRAME	A	B	C	DM	SHAFT END				H <sub>0.5</sub>	HA	K	FLANGE							
					D <sub>m6</sub>	E	F <sub>h9</sub>	GA				wg PN IEC 72-1	LA	M±0.4	N <sub>js</sub>	P	S		T
																	Ø	QTY	
160 M	254	210	108	M16	42 <sub>k6</sub>	110	12	45	160	22	15	FF300	17	300	250	350	18	4	5
160 L	254	254	108	M16	42 <sub>k6</sub>	110	12	45	160	22	15	FF300	17	300	250	350	18	4	5
180 M	279	241	121	M16	48 <sub>k6</sub>	110	14	51.5	180	22	15	FF300	18	300	250	350	18	4	5
180 L	279	279	121	M16	48 <sub>k6</sub>	110	14	51.5	180	22	15	FF300	18	300	250	350	18	4	5
200L	318	305	133	M20	55	110	16	59	200	32	19	FF350	21	350	300	400	18	4	5
225S	356	286	149	M20	60	140	18	64	225	34	19	FF400	22	400	350	450	18	8	5
225M2	356	311	149	M20	55	110	16	59	225	34	19	FF400	22	400	350	450	18	8	5
225M4-8	356	311	149	M20	60	140	18	64	225	34	19	FF400	22	400	350	450	18	8	5
250M2	406	349	168	M20	60	140	18	64	250	37	24	FF500	24	500	450	550	18	8	5
250M4-8	406	349	168	M20	65	140	18	69	250	37	24	FF500	24	500	450	550	18	8	5
280S2	457	368	190	M20	65	140	18	69	280 <sub>1</sub>	40	24	FF500	25	500	450	550	18	8	5
280S4-8	457	368	190	M20	75	140	20	79.5	280 <sub>1</sub>	40	24	FF500	25	500	450	550	18	8	5
280M2	457	419	190	M20	65	140	18	69	280 <sub>1</sub>	40	24	FF500	25	500	450	550	18	8	5
280M4	457	419	190	M20	75	140	20	79.5	280 <sub>1</sub>	40	24	FF500	25	500	450	550	18	8	5
315S2	508	406	216	M20	65	140	18	69	315 <sub>1</sub>	46	28	FF600	26	600	550 <sub>js6</sub>	660	22	8	6
315S4-8	508	406	216	M20	80	170	22	85	315 <sub>1</sub>	46	28	FF600	26	600	550 <sub>js6</sub>	660	22	8	6
315M2	508	457	216	M20	65	140	18	69	315 <sub>1</sub>	46	28	FF600	26	600	550 <sub>js6</sub>	660	22	8	6
315M4-8	508	457	216	M20	80	170	22	85	315 <sub>1</sub>	46	28	FF600	26	600	550 <sub>js6</sub>	660	22	8	6

Units in millimeters (mm).

## Overall Dimensions

FRAME	AA	AB	AC	AD	AD1	BA1	BA2	BB	BC±3	BL	HD	HD1	L	LB	d <sub>zas</sub>	
															min	max
160 M	60	300	360	185	315	60	60	256	23	60	475	440	670	610	20	25
160 L	60	300	360	185	315	60	60	300	23	60	475	440	710	650	20	25
180 M	65	330	400	185	335	65	105	330	27	65	515	480	765	715	26	31
180 L	65	330	400	185	335	65	105	330	27	65	515	480	765	715	26	31
200L2-8	80	400	465	190	400	105	105	388	44	70	600	560	810	770	32	37
225S4-6	85	445	510	190	420	115	120	385	47	75	645	610	860	795	32	37
225M2	85	445	510	190	420	115	120	385	47	75	645	610	830	795	32	37
225M4-8	85	445	510	190	420	115	120	385	47	75	645	610	860	795	32	37
250M2	95	495	550	190	440	120	120	445	57	85	690	670	915	850	38	43
250M4-8	95	495	550	190	440	120	120	445	57	85	690	670	915	850	38	43
280S2	100	560	620	190	485	140	170	500	51	85	765	770	1060	995	44	49
280S4-8	100	560	620	190	485	140	170	500	51	85	765	770	1060	995	44	49
280M2	100	560	620	190	485	140	170	500	51	85	765	770	1060	995	44	49
280M4-8	100	560	620	190	485	140	170	500	51	85	765	770	1060	995	44	49
315S2	105	610	625	190	500	140	185	550	45	130	815	770	1210	1150	52	55
315S4-8	105	610	625	190	500	140	185	550	45	130	815	770	1240	1150	52	55
315M2	105	610	625	190	500	140	185	550	45	130	815	770	1210	1150	52	55
315M4-8	105	610	625	190	500	140	185	550	45	130	815	770	1240	1150	52	55

## Bearings

FRAME	SPEED (RPM)							
	3000		1500		1000		750	
	D <sup>1</sup>	ND <sup>2</sup>	N	ND	N	ND	N	ND
160	6309 2ZC3		6309 2ZC3		6309 2ZC3		6309 2ZC3	
180	6311 2ZC3		6311 2ZC3		6311 2ZC3		6311 2ZC3	
200	NU 312	6312 C3	NU 312	6312 C3	NU 312	6312 C3	NU 312	6312 C3
225	NU 313	6313 C3	NU 313	6313 C3	NU 313	6313 C3	NU 313	6313 C3
250	NU 315	6315 C3	NU 315	6315 C3	NU 315	6315 C3	NU 315	6315 C3
280	NU 315	6315 C3	NU 317	6317 C3	NU 317	6317 C3	NU 317	6317 C3
315	NU 315	6315 C3	NU 318	6318 C3	NU 318	6318 C3	NU 318	6318 C3

<sup>1)</sup> Drive End Side. <sup>2)</sup> Non Drive End Side.

All Data Subject to Change Without Notice.

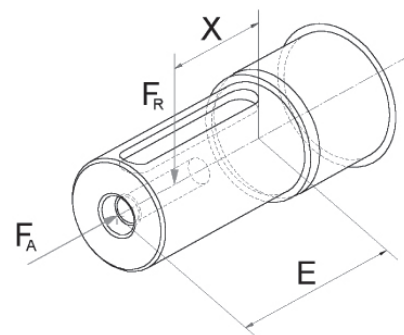
Elektrim Metric IEC Explosion Proof motors available upon special order only. Minimum quantities apply. Call Elektrim at 1-855-Go-Elektrim or 1-855-463-5358 for more information.



# Permissible Free Shaft End Load on Drive Side

FRAME	RADIAL LOAD		AXIAL LOAD			Weight of Rotor kg
	X=0	X=E	Horizontal N	Vertical		
	N	N		Down N	Up N	
160M2A	2000	1500	1500	1300	1800	24
160M2B	1900	1500	1500	1200	1800	27
160M4	2500	2000	2100	1800	2400	29
160M6	3000	2300	2400	2100	2700	30
160M8A	3400	2700	2700	2500	3000	26
160M8B	3300	2600	2700	2400	3000	30
160L2	1900	1500	1400	1200	1800	31
160L4	2400	1900	2100	1800	2500	35
160L6	2800	2200	2400	2000	2800	39
160L8	3200	2500	2700	2300	3100	37
180M2	2600	2200	2100	1700	2500	37
180M4	3400	2800	2900	2500	3400	45
180L4	3300	2700	2800	2400	3400	50
180L6	3800	3200	3300	2800	3900	55
180L8	4300	3500	3600	3100	4200	55
200L2A	8500	6900	2100	1600	2600	50
200L2B	8300	6800	2000	1500	2700	56
200L4	10300	8400	2600	2000	3400	70
200L6A	11700	9600	3300	2700	4200	77
200L6B	11600	9500	3300	2600	4200	84
200L8	12800	10500	3700	3000	4600	81
225S4	12600	9900	2900	2200	3700	75
225S8	15700	12300	4100	3400	5000	81
225M2	10100	8300	2200	1700	2900	62
225M4	12400	9700	2800	2100	3800	87
225M6	14000	11000	3300	2400	4400	98
225M8	15500	12200	4100	3200	5100	94
250M2	13700	10900	2800	2100	3700	81
250M4	16700	13300	3500	2600	4700	108
250M6	18800	15000	4000	2800	5600	141
250M8	20600	16400	4900	3700	6500	141
280S2	13800	11400	2800	1800	4200	119
280S4	20900	17300	4100	2800	5900	158
280S6	24100	20000	4900	3600	6500	146
280S8	26300	21800	6000	4600	7800	156
280M2	13600	11300	2800	1700	4200	129
280M4	20700	17100	4100	2500	6100	176
280M6	23900	19800	4800	3400	6700	164
280M8	25900	21500	5300	3700	7300	182
315S2	13600	11700	2900	1500	4700	160
315S4	22500	18800	4600	2800	6900	205
315S6	25500	21300	5300	3200	8000	237
315S8	28100	23400	6600	4500	9300	237
315M2A	13500	11600	2800	1300	4700	170
315M2B	13400	11500	2700	1100	4800	186
315M4A	22400	18600	4600	2500	7100	227
315M4B	22200	18500	4400	2300	7200	245
315M6A	25400	21100	5300	3000	8100	253
315M6B	25100	20900	5000	2500	8300	289
315M8A	27900	23300	5900	3600	8700	253
315M8B	27700	23000	5600	3100	8900	289

- Permissible load as a function of X is linear in the range from X=0 to X=E.
- $L_h = 3000h$  - bearings life.
- For  $L_h = 40000h$  above values decrease about 20%.



All Data Subject to Change Without Notice.

Elektrim Metric IEC Explosion Proof motors available upon special order only. Minimum quantities apply.  
Call Elektrim at 1-855-Go-Elektrim or 1-855-463-5358 for more information.







# European Engineered for Maximum Performance in Your Toughest Applications

For over 40 years, Elektrim Motors has designed and manufactured a full line of AC NEMA and Metric IEC motors for the US marketplace. Our enthusiasm for motors and commitment to exacting standards mean that Elektrim Motors are some of the finest, longest lasting and best performing

in the industry. Elektrim Motors are European engineered for maximum performance, and are manufactured in state-of-the-art ISO 9001 quality system facilities around the world.

**Trust the best. Get Elektrim.**

## You Might Also Be Interested in These Elektrim Motor Products

IEC 3-PHASE INDUCTION MOTORS	Metric three phase motors with squirrel cage rotor for standard and high efficiency	0.06kW up to 1400kW	general purpose, pumps, fans, compressors, specific requirements relating to the highest efficiency	
IEC HIGH VOLTAGE INDUCTION MOTORS <i>Special Order</i>	Metric three phase squirrel cage high voltage motors in different frame and enclosures	160 kW up to 3150 kW	general industrial use, drives used for own needs of power plants (pumps, fans, coal mills, conveyors)	
IEC BRAKE MOTORS <i>Special Order</i>	Metric three phase and single phase brake motors with AC and DC brakes	0.09 kW up to 160 kW	applied in case of necessity to stop the motor suddenly	
IEC 1-PHASE INDUCTION MOTORS <i>Special Order</i>	Metric single phase motors with squirrel cage rotor with: <ul style="list-style-type: none"> <li>• standard starting torque</li> <li>• increased starting torque</li> <li>• high starting torque</li> </ul>	0.04 kW up to 2kW	general purpose, pumps, fans, compressors, wood machines, machines and devices for food processing, mixers for building.	
IEC MOTORS WITH FOREIGN COOLING <i>Special Order</i>	Metric three phase induction motors with foreign cooling	0.06 kW up to 18.5 kW	drives adapted for speed regulation by frequency converter	
NEMA MOTORS	Low voltage NEMA Premium efficient 20N series motors	1 HP up to 250 HP	general industrial applications including fans, blowers, pumps	

### SOLUTIONS TO MEET YOUR NEEDS

2015 S. Mitchell Blvd., Schaumburg, IL 60193  
+1-847-524-1074 • 855-463-5358 • Fax +1-847-524-9996

Elektrim is a trademark of Toolmex Industrial Solutions. [www.elektrimmotors.com](http://www.elektrimmotors.com) | 855-Go-Elektrim



**40**  
YEARS  
MANUFACTURING EXCELLENCE